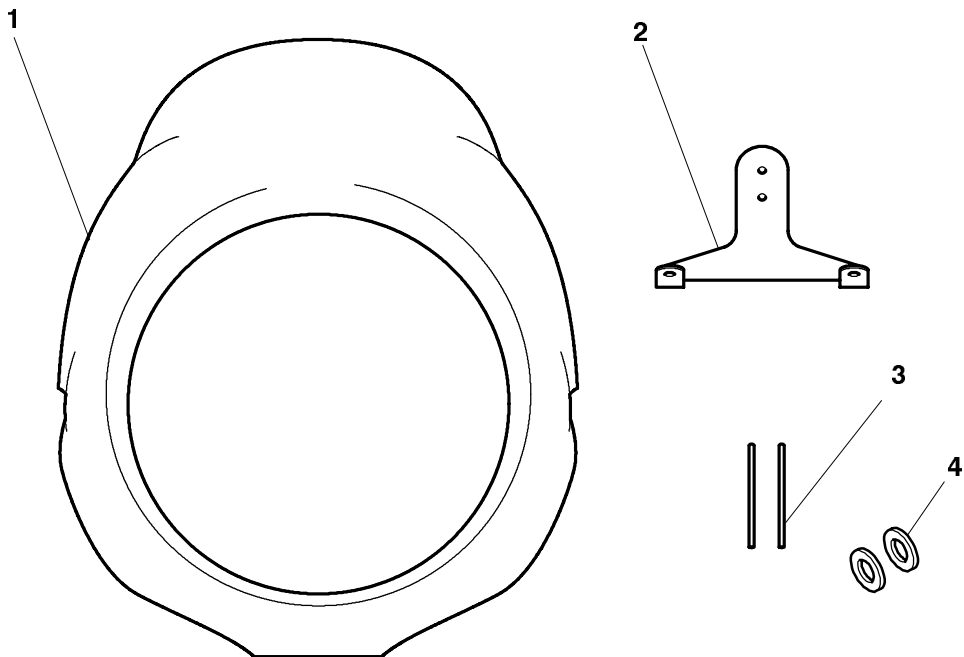


Flyscreen Fitting Instructions - Bonneville



! WARNING: Always have Triumph approved parts, accessories and conversions fitted by a trained technician of an authorised Triumph dealer. The fitment of parts, accessories and conversions by a technician who is not of an authorised Triumph dealer may affect the handling, stability or other aspects of the motorcycle operation which may result in an accident causing injury or death.

! WARNING: Throughout this operation, ensure that the motorcycle is stabilised and adequately supported to prevent the risk of injury from the motorcycle falling.



T908.FS.01

! WARNING: This kit is designed for use solely on Triumph Bonneville motorcycles and should not be fitted to any other Triumph model or motorcycles from other manufacturers. Fitting this kit to any other Triumph model, or motorcycles from other manufacturers, may interfere with the rider and could affect the stability and handling of the motorcycle leading to an accident causing injury or death.

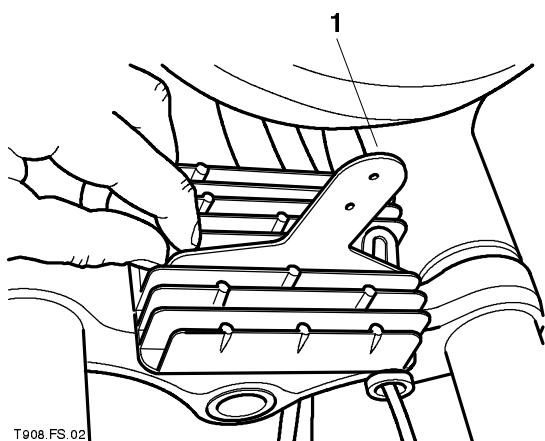
Parts Supplied

- 1. Flyscreen 1
- 2. Mounting bracket 1
- 3. Pop rivets 2
- 4. Washers 2

Instructions part number A9900134 issue 2

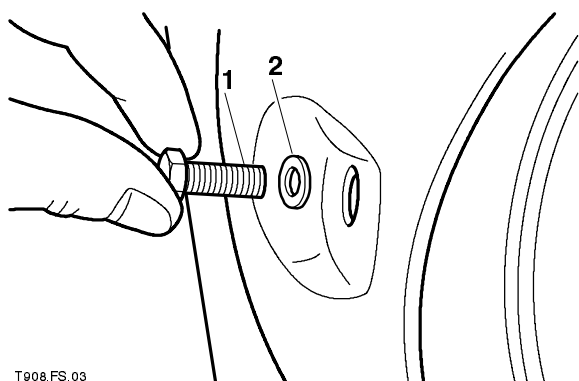
© Triumph Designs 2000

1. Undo the two screws located under the rear of the seat and remove the seat.
2. Disconnect the battery, disconnecting the negative (-) lead first.
3. Slacken and remove the two bolts securing the regulator/rectifier unit to the bottom yoke. Fit the flyscreen mounting bracket to the regulator/rectifier then refit the bolts, tightening them to **9 Nm**.



1. Mounting bracket

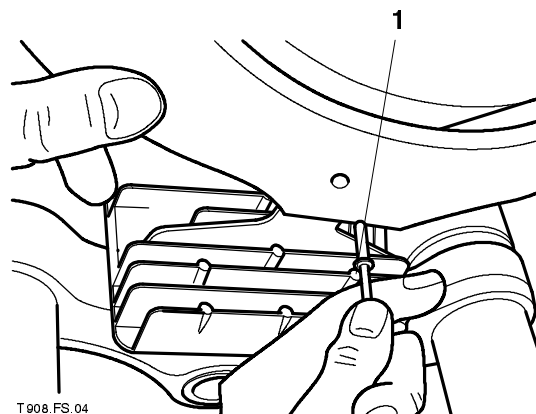
4. Slacken and remove the headlight mounting bolts, taking care not to lose the mounting rubbers and spacers. Support the headlight.
5. Install the flyscreen and loosely refit the headlight mounting bolts, including the washers supplied with the kit. Ensure the mounting rubbers and spacers are correctly positioned.



1. Headlight bolt

2. Washer

6. Secure the flyscreen to its mounting bracket with the pop rivets supplied.



1. Pop rivet

7. Reconnect the battery, connecting the positive (+) terminal first. Refit the seat, tightening its screws to **10 Nm**.
8. Adjust the headlight beam vertical aim then tighten the headlight bolts to **10 Nm**.
9. Check the headlight beam vertical aim. Adjust if necessary.